

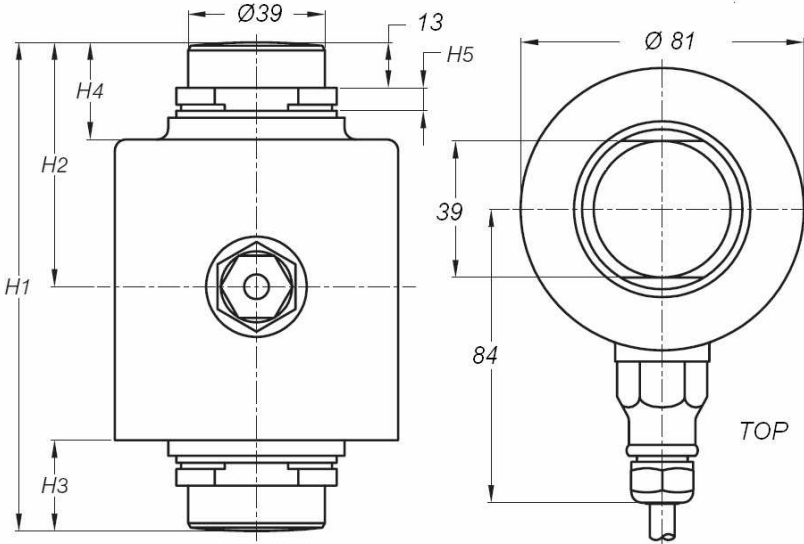
Type BR003S is a stainless steel self centering rocker column loadcell with complete hermetic sealing. It is suitable for weighbridges, hoppers, tanks, silos and use in harsh industrial environments.



## Key features;

- Capacities 30 ~ 40 tons
- Stainless steel construction
- Self restoring design
- Protection IP68

## Dimensions (mm);



Capacity	30t	40t
H1	140	150
H2	70	75
H3	26	31
H4	28	33
H5	6,5	11,7

## Color codes;

+input	green
+output	white
-input	black
-output	red
shield	yellow

## Technical specifications;

Capacity	ton	30 / 40
Output sensitivity	mV / V	2.0 ± 0.001
Temperature effect on zero	%FS / 10°C	≤ 0.02
Temperature effect on sensitivity	%FS / 10°C	≤ 0.02
Combined error	%FS	≤ 0.02
Creep	%FS	≤ 0.02
Input resistance	Ω	1150 ± 50
Output resistance	Ω	1000 ± 2
Insulation resistance	MΩ	≥ 5000
Zero balance	%FS	≤ ± 5
Temperature, operating	°C	-40...+80 (ATEX -40...+60)
Excitation, Recommended	V	5 - 12 (DC)
Excitation, Maximum	V	15 (DC)
Safe overload	%FS	200
Ultimate overload	%FS	300
Construction		Stainless steel
Environmental protection		IP68
Cable		Length 12 m , diameter 5 mm

(Properties are subject to change without notification. 01 / 2009)